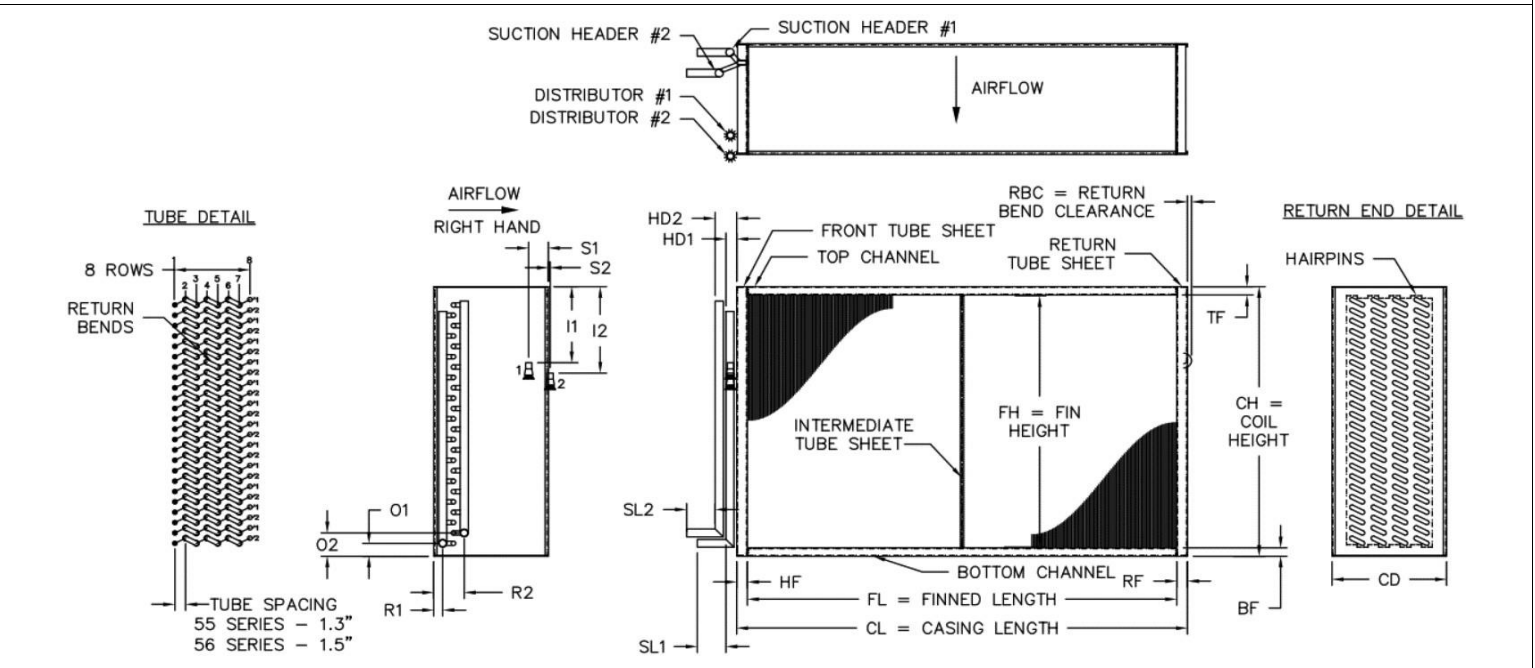


**PROJECT:**  
**TAG #:**  
**QTY:**  
**NOTES:**

\*Please complete as much information as possible.\*

**Replacement Coil Order Form Refrigerant/DX/Evaporator Coil (Same End Connections)**



FINS		CASING					HD1	HD2	SUCTION HEADER CONNECTION(S)					RBC		
FH	FL	BF	TF	CH	HF	RF	CL	CD	SL	O1	O2	R1	R2			
<b>DISTRIBUTOR(S)</b>					<b>PERFORMANCE R-(22, 134a, 404a, 407c, 410a, _____)</b>										<b># DIST CIRCUIT</b>	
<b>I1</b>	<b>I2</b>	<b>S1</b>	<b>S2</b>	<b>INLET Ø</b>	<b>TONNAGE</b>		<b>EAT [DB°F/WB°F]</b>		<b>SUCTION T°F</b>							
					<b>AIRFLOW (CFM)</b>		<b>LAT [DB°F/WB°F]</b>		<b>LIQUID T°F</b>							
<b>ROWS</b>				<b>TUBE DIAMETER</b>		(3/8" 1/2" 5/8" 1" _____)		<b>FIN MATERIAL</b>								
<b>TUBES HIGH</b>				<b>TUBE MATERIAL</b>				ALUM:		(.008 .010 .016 .020 .025)						
<b>QTY TUBES INTO SUCTION HDR</b>				COPPER:				(.025 .028 .035 .049 .065)		COPPER:		(.007 .010 .016 .020 .025)				
<b>FIN TYPE (FLAT or TURBEX)</b>				STEEL:				(.035 .049 .065)		STEEL:		(.010 .016)				
<b>FINS PER INCH SPACING</b>				SST:				(.035 .049)		SST:		(.008 .010)				
<b>AIRFLOW DIRECTION (H or V)</b>				CU/NI:				(.035 .049)		CU/NI:		(.007 .010)				
<b>COIL HAND (RIGHT or LEFT)</b>				ALUM:				(.049 .065 .083)		<b>CASING</b>		(Galvanized 304L SST 316L SST)				
<b>SUCTION HEADER/CONN Ø</b>				<b>HEADER MATERIAL/THICKNESS</b>				(Copper M/L/K Sch 40/80 Steel Sch 40/80 304/316 SST)								
<b>QTY INTERMEDIATE TUBE SHEETS</b>				<b>CONNECTION MAT &amp; TYPE</b>				(Copper Brass Steel SST)		(MPT FPT Plain End Flanged)						
				<b>COATING</b>		(Phenolic Electrofin)		<b>PRIORITY SHIPMENT</b>		(10 day 15 day)						
<b>OPTIONS (check in box)</b>				<b>COIL HAND CONFIGURATION</b>				<b>CONTROL OPTIONS</b>								
Header Wrap																
Duct Mounting Holes																
Removable Channels																
Copper Ferrules																
Integral Drain Pan																
Lifting Lugs (Welded)																
Lifting Lugs (Bolted)																
Hot Gas Bypass																