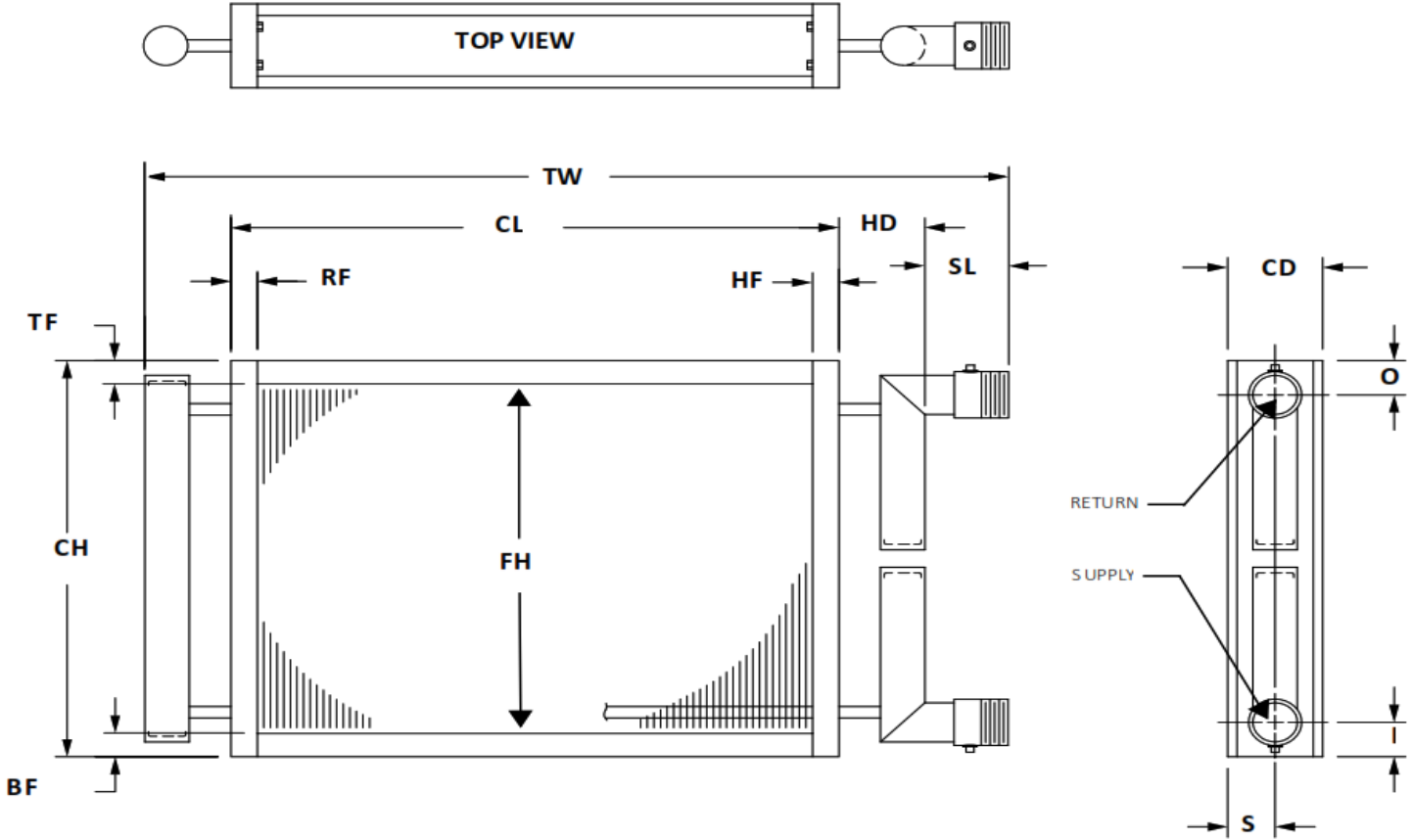


**PROJECT:**  
**TAG #:**  
**QTY:**  
**NOTES:**

Please complete as much information as possible.\*

**Replacement Coil Order Form**

**Water Coil (One Row)**



FINS		CASING							CONNECTIONS					
FH	FL	BF	TF	CH	HF	RF	CL	CD	HD	SL	I	S	O	R
ROW				1	TUBE MAT'L: (CIRCLE THICKNESS)				FIN MAT'L (CIRCLE THICKNESS)					
TUBES HIGH					COPPER: (.025 .028 .035 .049 .065)				ALUM.: (.008 .010 .016 .020 .025)					
TUBES ENTERING HEADER					STEEL: (.035 .049 .065)				COPPER: (.007 .010 .016 .020 .025)					
FIN TYPE (Flat Or Turbex)					SST: (.035 .049)				SST: (.008 .010)					
FINS PER INCH					CU/NI: (.035 .049)				CU/NI (.007 .010)					
AIR FLOW (H OR V)					ALUMINUM: 5/8" (.049 .065) 1" (.049 .065 .083)				STEEL (.010 .016)					
TUBE ORIENTATION (H OR V)					CASING MATERIALS: ( Galvanized Stainless Steel )									
COIL HAND (Right Or Left)					CONNECTION MATERIAL: ( Steel Copper Stainless Steel )									
CONNECTION SIZES					CONN. TYPE : ( MPT FPT Plain End Other: _____ )									
SPECIAL OPTIONS:				( Duct Mounting Holes Header Enclosure Copper Ferrules Turbulators )										
COATINGS: (Electrofin or Phenolic)					PRIORITY SHIPMENT: ( 5 Day 10 Day 15 Day )									

**NOTES**